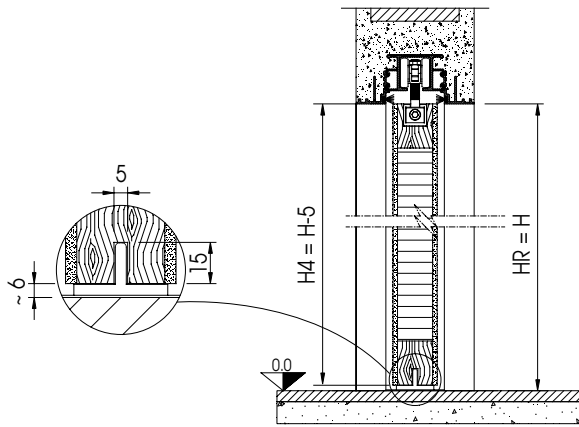


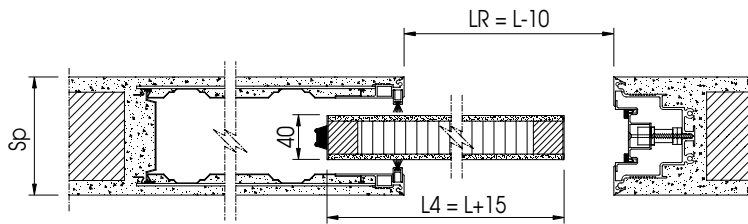


COMFORT SCORREVOLE PER ESSENTIAL / MODELLO PRIMA E SOUND COMFORT SLIDING DOOR FOR ESSENTIAL / PRIMA AND SOUND MODEL

SINGOLA SINGLE

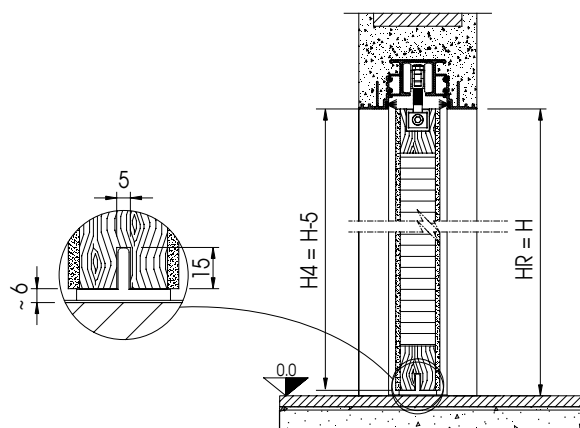


Eseguire sempre il rilievo misure prima di ordinare la porta
Always take measurements before ordering the door

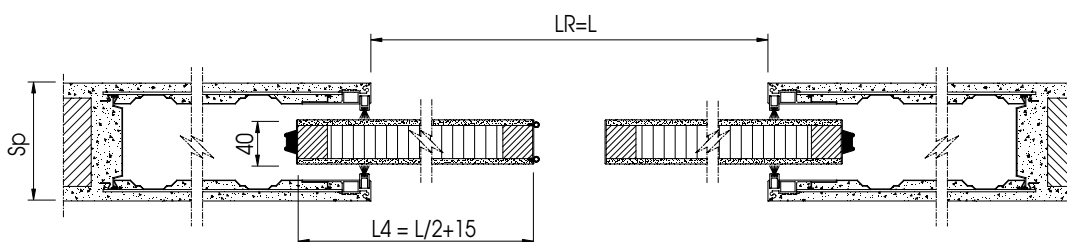


 MDF
  ABETE GIUNTATO
JOINTED FIR
  STRUTTURA ALVEOLARE A NIDO D'APE
HONEYCOMB HOLLOW-CORE STRUCTURE

LUCE DI PASSAGGIO CLEAR OPENING SIZE	LUCE REALE EFFECTIVE OPENING DIMENSIONS	MISURA ANTA DOOR MEASUREMENT	SPESSORE PARETE FINISHED WALL
$L \times H$	$LR \times HR$	$L4 \times H4$	Sp
600 x 1910 ÷ 2100	590 x 1910 ÷ 2100	615 x 1905 / 2095	Intonaco Plaster 105 - 125 - 145 Cartongesso Plasterboard 100 - 125 - 125L2 - 150L2
700 x 1910 ÷ 2100	690 x 1910 ÷ 2100	715 x 1905 / 2095	
750 x 1910 ÷ 2100	740 x 1910 ÷ 2100	755 x 1905 / 2095	
800 x 1910 ÷ 2100	790 x 1910 ÷ 2100	815 x 1095 / 2095	
900 x 1910 ÷ 2100	890 x 1910 ÷ 2100	915 x 1905 / 2095	
1000 x 1910 ÷ 2100	990 x 1910 ÷ 2100	1015 x 1905 / 2095	



Eeguire sempre il rilievo misure prima di ordinare la porta
 Always take measurements before ordering the door



MDF
 ABETE GIUNTATO
 JOINTED FIR
 STRUTTURA ALVEOLARE A NIDO D'APE
 HONEYCOMB HOLLOW-CORE STRUCTURE

LUCE DI PASSAGGIO CLEAR OPENING SIZE	LUCE REALE EFFECTIVE OPENING DIMENSIONS	MISURA ANTA DOOR MEASUREMENT	SPESSORE PARETE FINISHED WALL
$L \times H$	$LR \times HR$	$L4 \times H4$	Sp
1200 x 1910 ÷ 2100	1200 x 1910 ÷ 2100	515 x 1905 / 2095	Intonaco Plaster 105 - 125 - 145 Cartongesso Plasterboard 100 - 125 - 125L2 - 150L2
1400 x 1910 ÷ 2100	1400 x 1910 ÷ 2100	715 x 1905 / 2095	
1600 x 1910 ÷ 2100	1600 x 1910 ÷ 2100	815 x 1905 / 2095	
1800 x 1910 ÷ 2100	1800 x 1910 ÷ 2100	915 x 1905 / 2095	
2000 x 1910 ÷ 2100	2000 x 1910 ÷ 2100	1015 x 1905 / 2095	