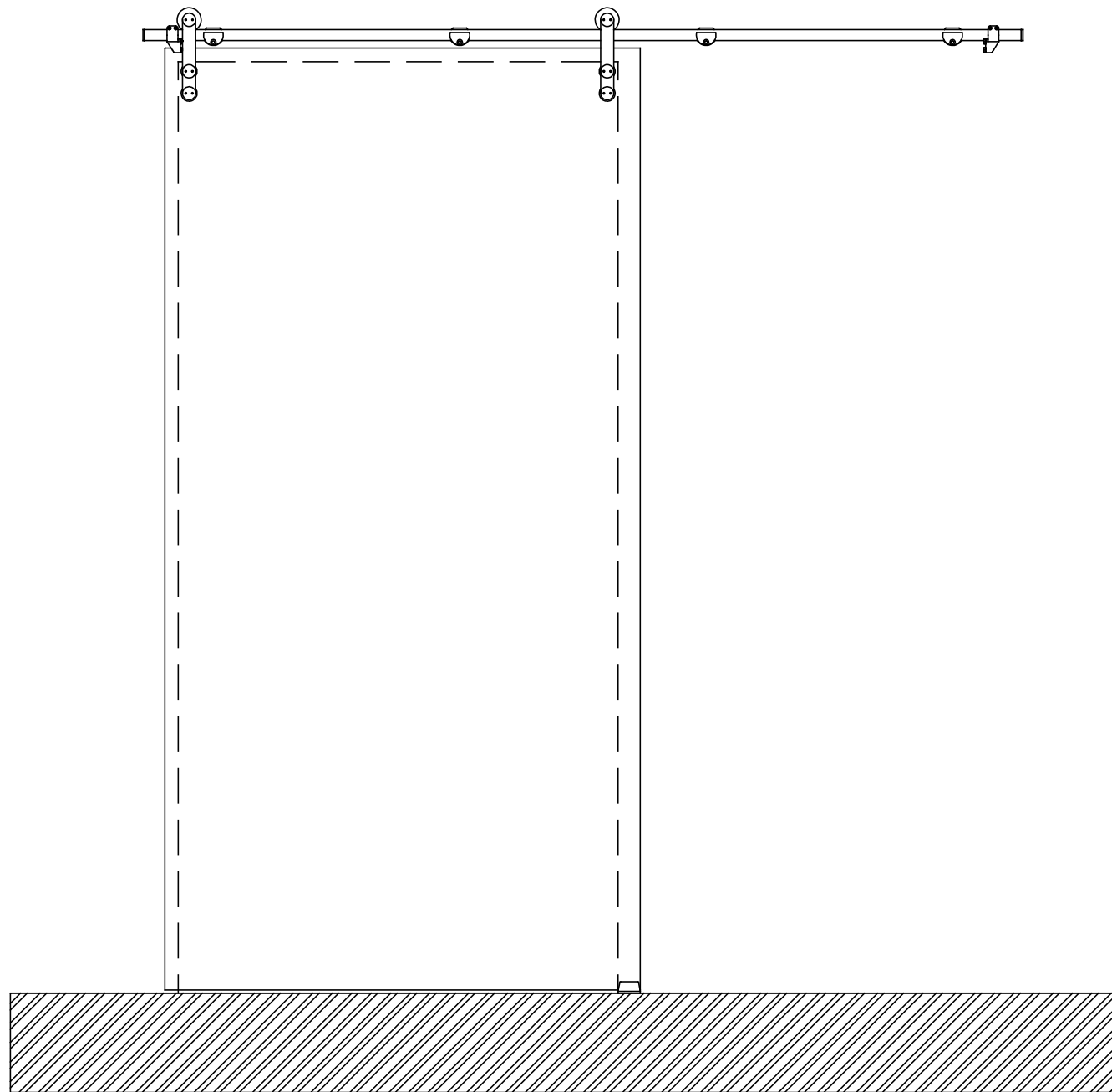


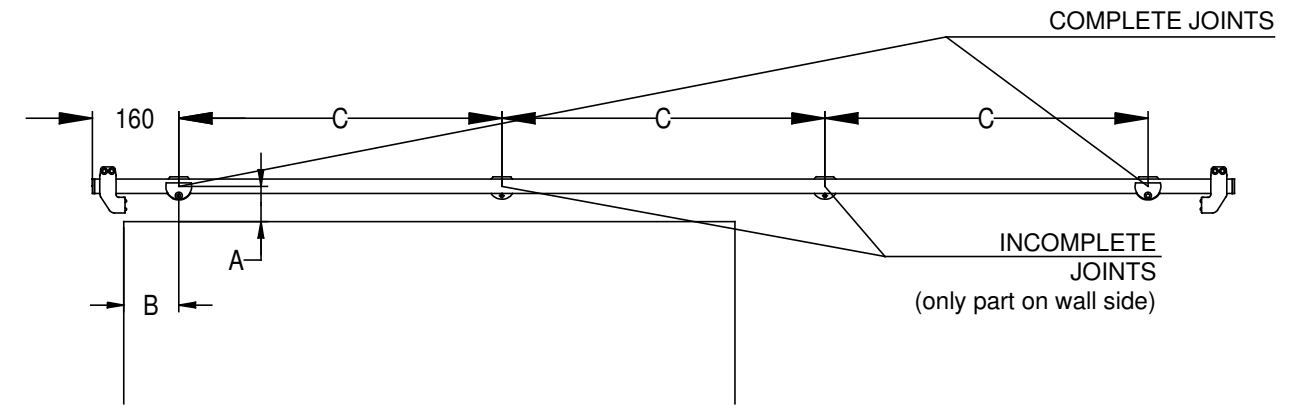
SCRIGNO[®] SC2000 WALL-MOUNTED SLIDING DOOR KIT

Maximum opening width 1000 mm

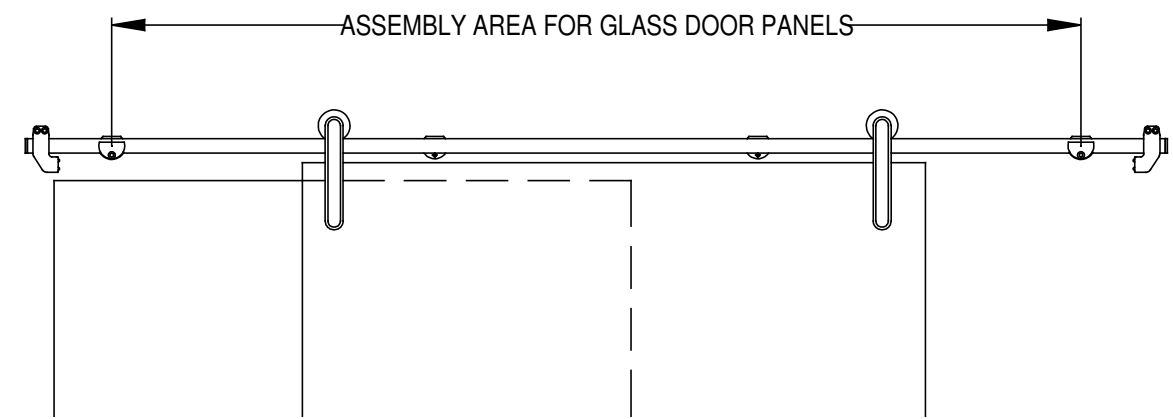


ASSEMBLY STEPS:

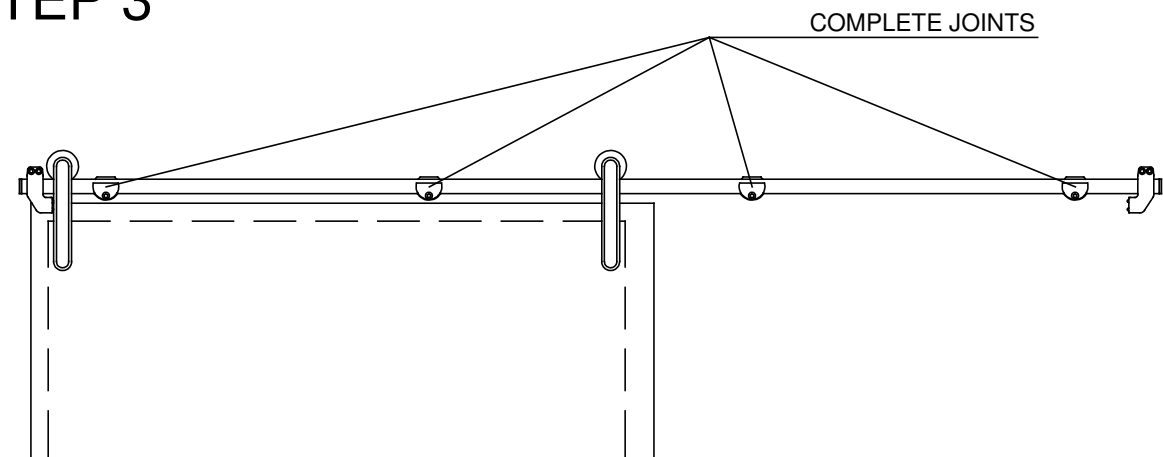
STEP 1



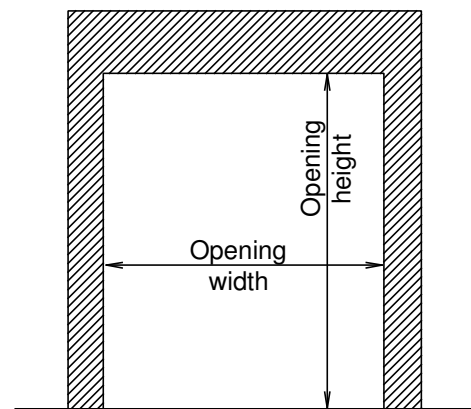
STEP 2



STEP 3

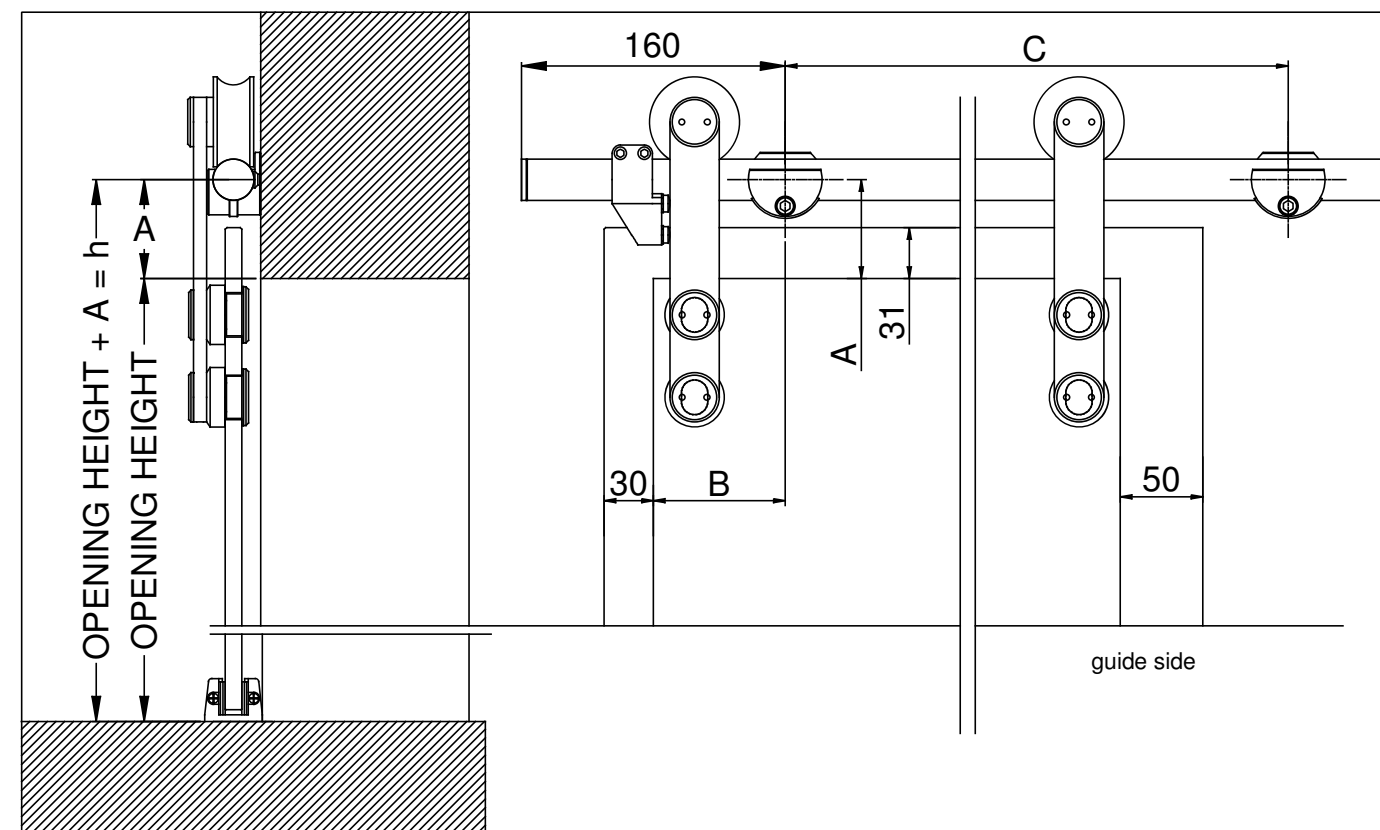


SCRIGNO® SC2000 WALL-MOUNTED SLIDING DOOR KIT



To produce a door and offer a price quotation, the total size of the wall opening must be known, and the essential measurements for this are its height and width. These are used to determine the geometrical characteristics of the glass door panel. The choice of the sliding track is therefore made according to the opening width, in accordance with the recommended layouts:

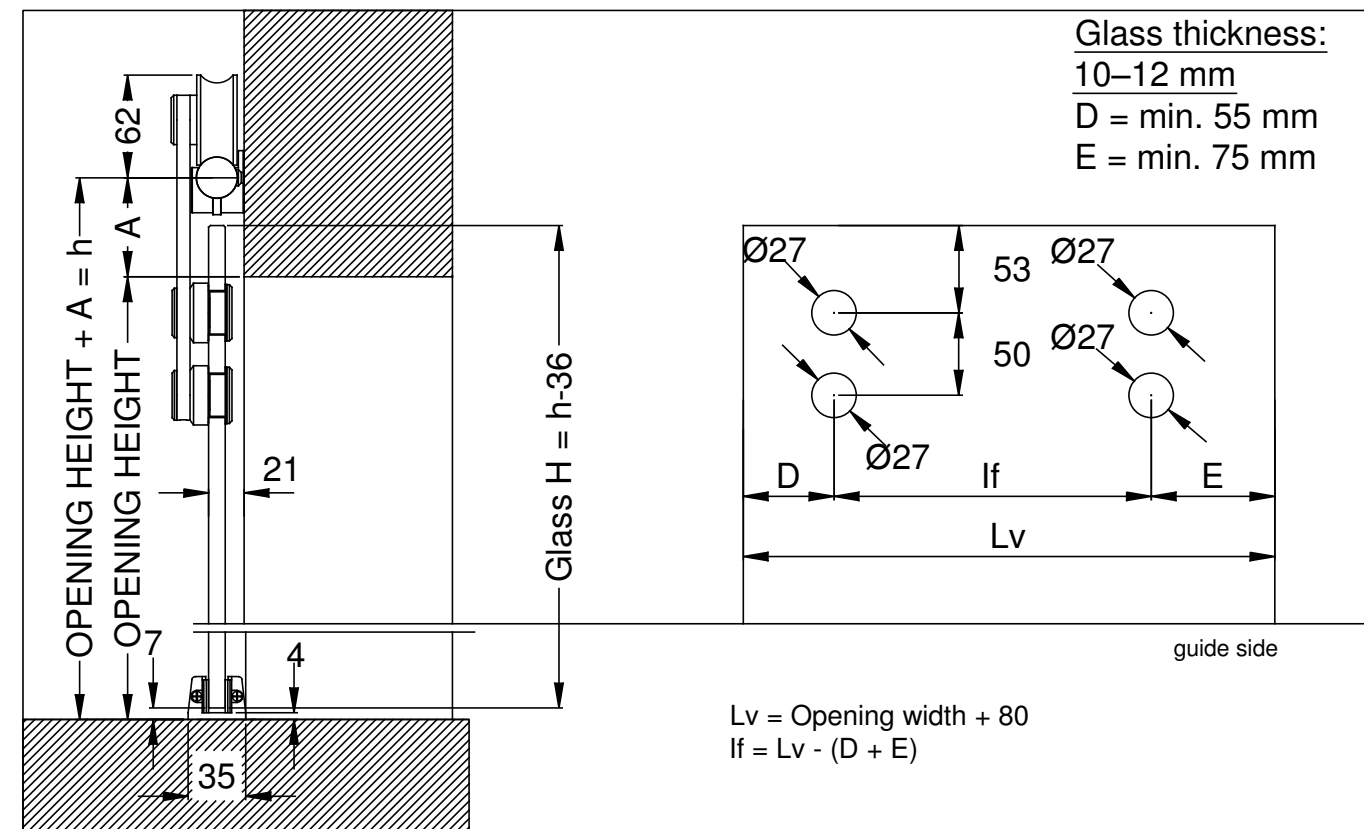
RECOMMENDED LAYOUT FOR FIXING BAR WITH WALL JOINT/FIXED GLASS PANEL SINGLE DOOR



The diagram shows assembly of the bar for a SINGLE WALL-MOUNTED DOOR. To position the first hole, consider height A (recommended 60 mm) from the upper edge of the opening and B (recommended 100 mm) from the side edge of the opening. The other holes will be positioned as a consequence of the choice of the value of C.

- For a 2000 mm track:
C (recommended) = 560 mm with minimum 4 joints

RECOMMENDED LAYOUT FOR CALCULATION OF HEIGHT AND DRILLED HOLES IN SINGLE GLASS DOOR



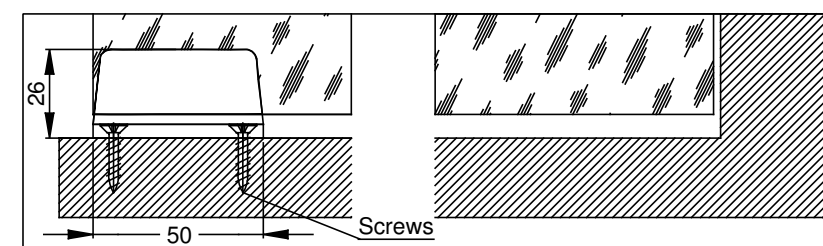
To calculate the height of the glass door, proceed as follows: measure from the centre of the hole where the track spacer will be positioned, down to the floor, and subtract 36 mm.

From the diagram it can be seen that the track is positioned at a predetermined height A, where the hole to be drilled is a recommended 60 mm above the opening space, so that the glass door will overlap the upper edge of the opening by about 31 mm. With the opening height already known, and given that the track is located at distance A, just perform the following calculation:
OPENING HEIGHT + A (recommended 60 mm)
– 36 mm = GLASS DOOR HEIGHT.

This is only if the track is positioned correctly.

To calculate the glass door width, proceed as follows: Measure the opening width and add 80 mm.

The diagram shows the glass door drilling layout in the case of closure from right to left, considering an overlap of 50 mm on the floor guide side and 30 mm on the other side. With the opposite opening direction, the drilling layout must be read in reverse, with the right side becoming left, and the left becoming right.



Remember that the glass door must always remain inside the floor guide provided, and that the door dragging handle may in some cases affect the clear opening size.