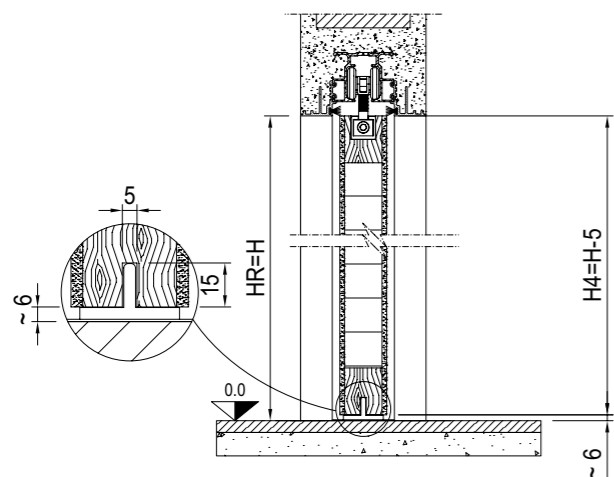
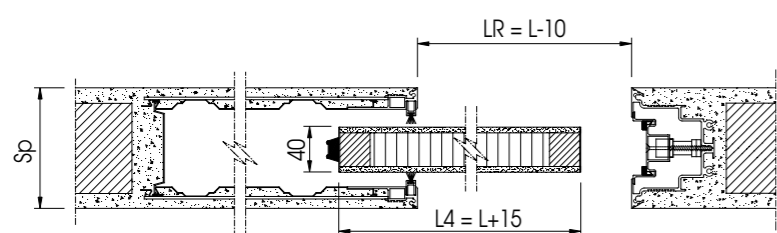


LAMINATE SINGOLA LAMINATED SINGLE



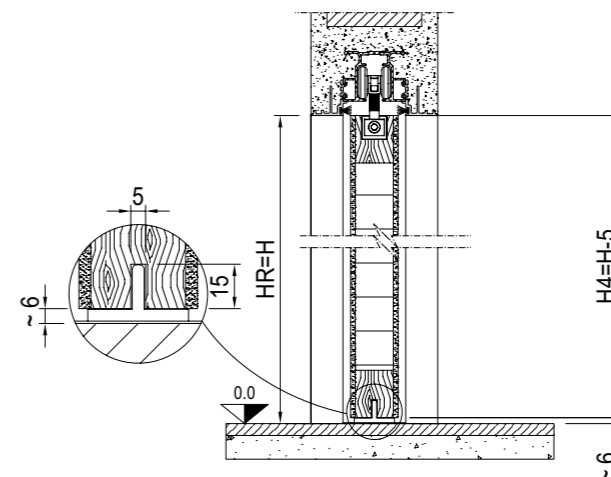
Eeguire sempre il rilievo misure prima di ordinare la porta
Always take measurements before ordering the door



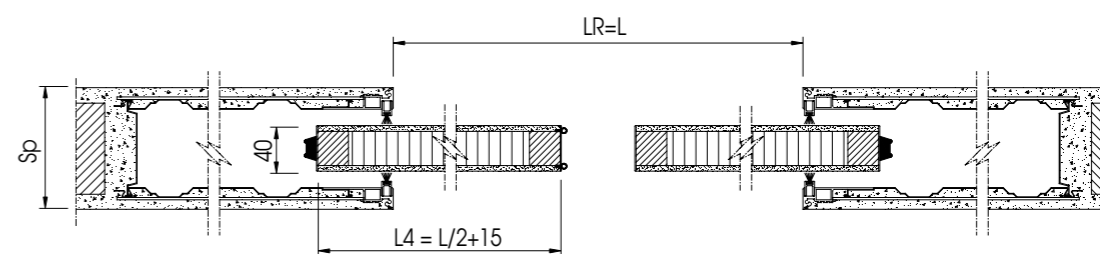
MDF ABETE GIUNTATO JOINTED FIR STRUTTURA ALVEOLARE A NIDO D'APE HONEYCOMB HOLLOW-CORE STRUCTURE

LUCE DI PASSAGGIO CLEAR OPENING SIZE	LUCE REALE EFFECTIVE OPENING DIMENSIONS	MISURA ANTA DOOR MEASUREMENT	SPESSORE PARETE FINISHED WALL
L x H	LR x HR	L4 x H4	Sp
600 x 1910 ÷ 2100	590 x 1910 ÷ 2100	615 x 1905 / 2095	Intonaco Plaster 105 - 125 - 145 Cartongesso Plasterboard 100 - 125 - 125L2 - 150L2
700 x 1910 ÷ 2100	690 x 1910 ÷ 2100	715 x 1905 / 2095	
750 x 1910 ÷ 2100	740 x 1910 ÷ 2100	755 x 1905 / 2095	
800 x 1910 ÷ 2100	790 x 1910 ÷ 2100	815 x 1095 / 2095	
900 x 1910 ÷ 2100	890 x 1910 ÷ 2100	915 x 1905 / 2095	
1000 x 1910 ÷ 2100	990 x 1910 ÷ 2100	1015 x 1905 / 2095	

LAMINATE DOPPIA LAMINATED DOUBLE



Eeguire sempre il rilievo misure prima di ordinare la porta
Always take measurements before ordering the door



MDF ABETE GIUNTATO JOINTED FIR STRUTTURA ALVEOLARE A NIDO D'APE HONEYCOMB HOLLOW-CORE STRUCTURE

LUCE DI PASSAGGIO CLEAR OPENING SIZE	LUCE REALE EFFECTIVE OPENING DIMENSIONS	MISURA ANTA DOOR MEASUREMENT	SPESSORE PARETE FINISHED WALL
L x H	LR x HR	L4 x H4	Sp
1200 x 1910 ÷ 2100	1200 x 1910 ÷ 2100	515 x 1905 / 2095	Intonaco Plaster 105 - 125 - 145
1400 x 1910 ÷ 2100	1400 x 1910 ÷ 2100	715 x 1905 / 2095	
1600 x 1910 ÷ 2100	1600 x 1910 ÷ 2100	815 x 1905 / 2095	
1800 x 1910 ÷ 2100	1800 x 1910 ÷ 2100	915 x 1905 / 2095	Cartongesso Plasterboard 100 - 125 - 125L2 - 150L2
2000 x 1910 ÷ 2100	2000 x 1910 ÷ 2100	1015 x 1905 / 2095	