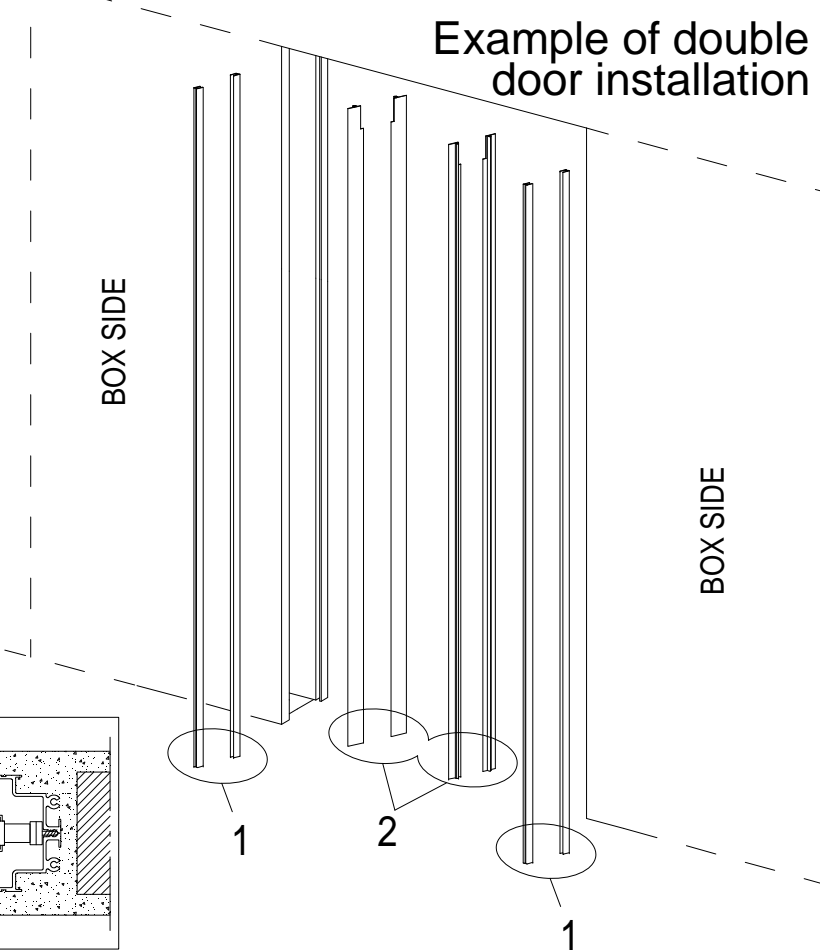
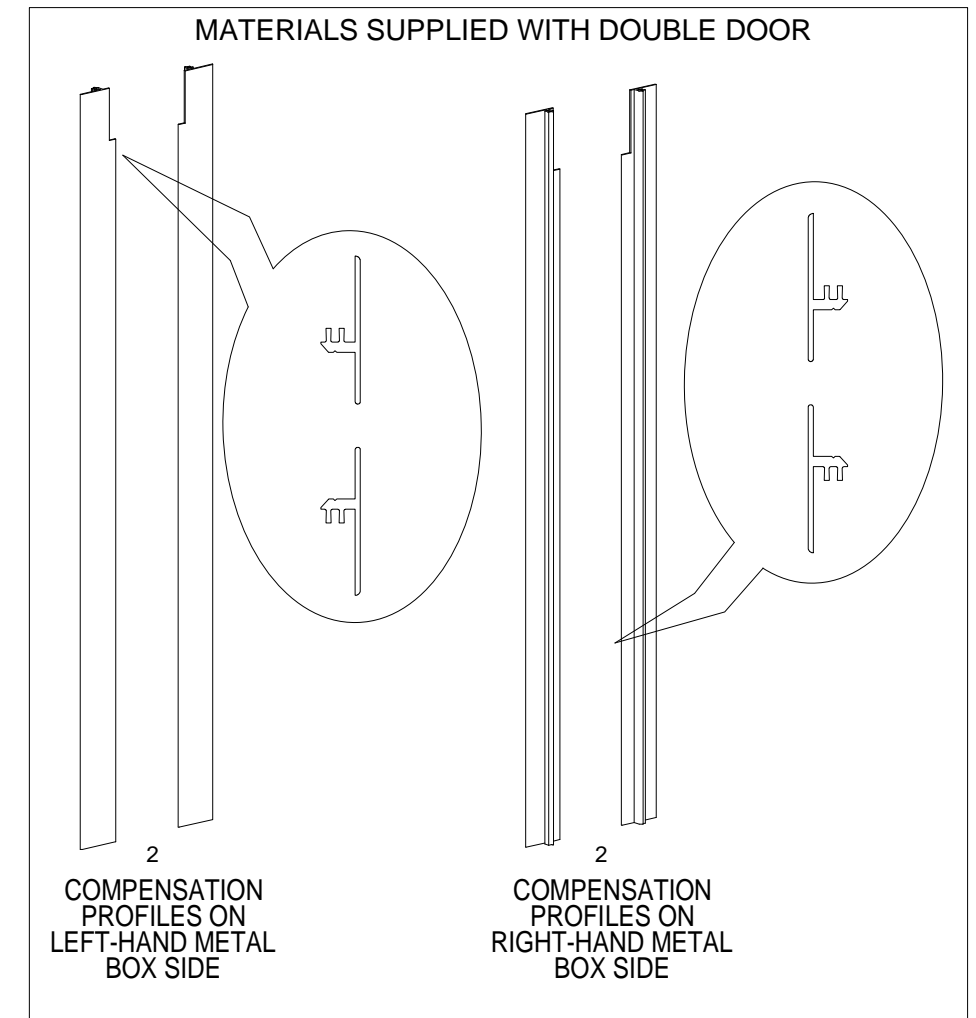
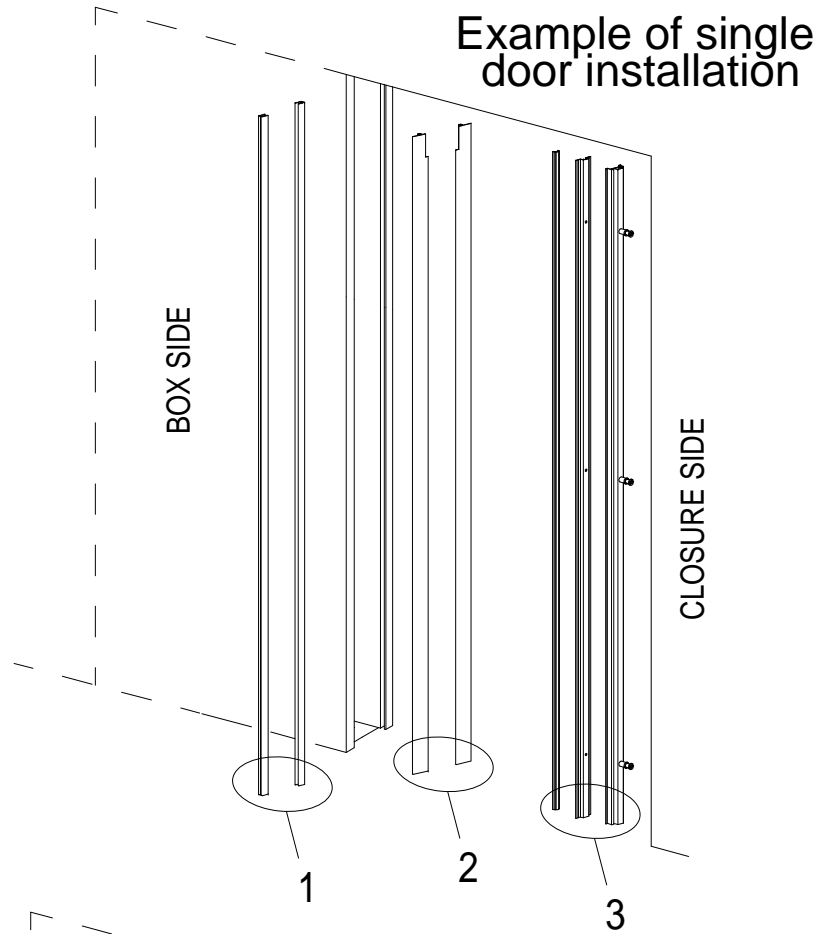
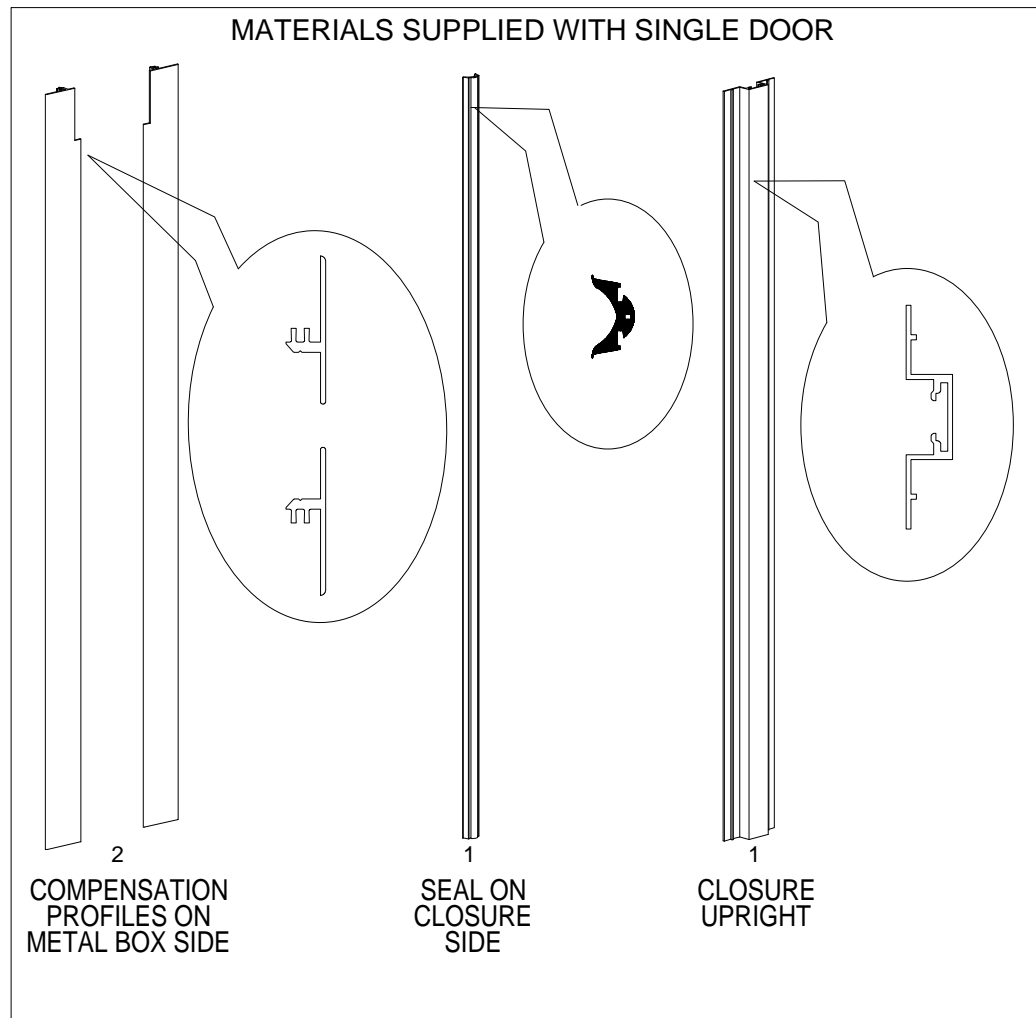
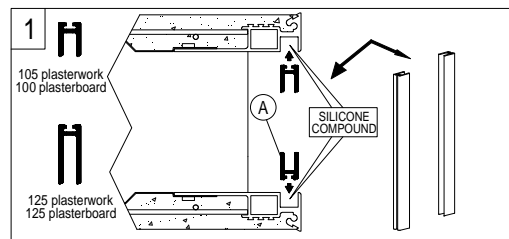
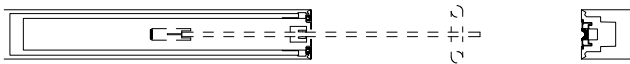


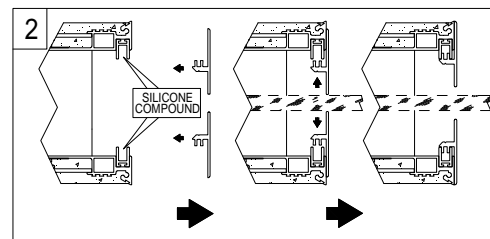
COMPENSATION PROFILE KIT FOR ESSENTIAL WITH GLASS DOOR



SPECIAL KIT SUITABLE FOR 8/10 mm GLASS DOOR

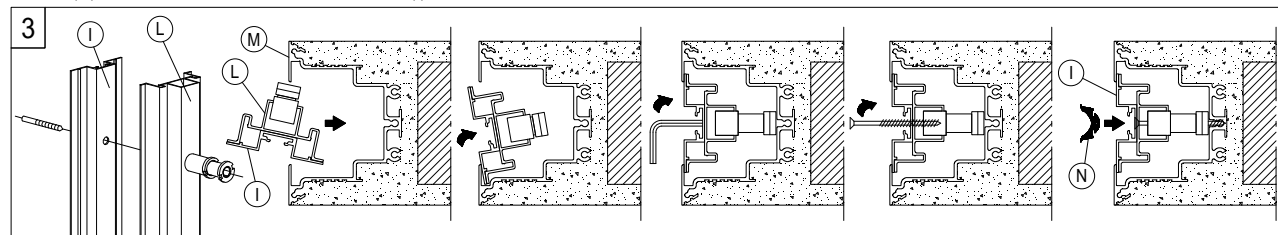


INSERT PROFILE BARS "A" SUPPLIED WITH THE FRAME INTO THE RECESSES PROVIDED ON THE METAL BOX AND FIX THEM WITH DABS OF NEUTRAL SILICONE COMPOUND.

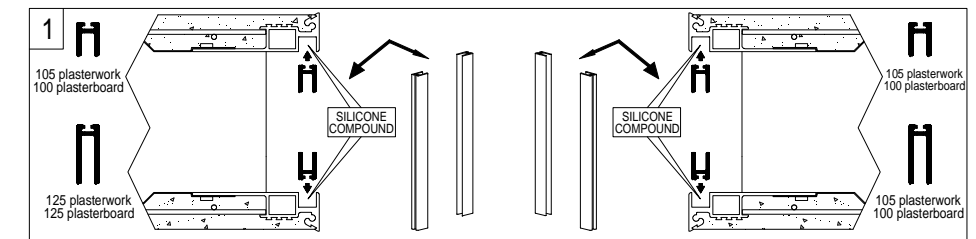


IF NECESSARY, ADJUST THE HEIGHT OF THE TWO ALUMINIUM PROFILE BARS. APPLY PRIMER (E.G. UNDERCOAT) TO THE PROFILE BARS AND PAINT THEM WITH THE SAME FINISH AS THE WALL. FIX THEM WITH DABS OF NEUTRAL SILICONE COMPOUND.

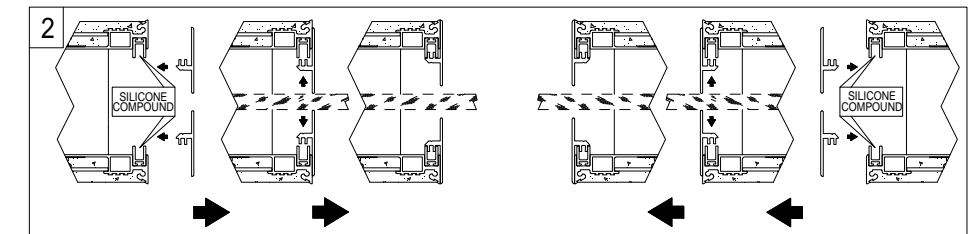
DRILL THE DOOR CLOSURE PROFILE (I) AT THE LEVEL OF THE UPRIGHT (L) SUPPLIED TOGETHER WITH THE FRAME. IF NECESSARY, ADJUST THE HEIGHT OF THE TWO ALUMINIUM PROFILE BARS. APPLY PRIMER (E.G. UNDERCOAT) TO THE PROFILE BARS AND PAINT THEM WITH THE SAME FINISH AS THE WALL. INSERT THEM INTO THE FRAME CLOSURE SECTION (M). ADJUST USING THE RAPID-BLOCKS AND SECURE WITH THE SCREWS SUPPLIED WITH THE FRAME. SLOT THE SEALING STRIP (N) INTO THE CLOSURE PROFILE BAR (I).



SPECIAL KIT SUITABLE FOR 8/10 mm GLASS DOOR



INSERT PROFILE BARS SUPPLIED WITH THE FRAME INTO THE RECESSES PROVIDED ON THE METAL BOX AND FIX THEM WITH DABS OF NEUTRAL SILICONE COMPOUND.



IF NECESSARY, ADJUST THE HEIGHT OF THE TWO ALUMINIUM PROFILE BARS. APPLY PRIMER (E.G. UNDERCOAT) TO THE PROFILE BARS AND PAINT THEM WITH THE SAME FINISH AS THE WALL. FIX THEM WITH DABS OF NEUTRAL SILICONE COMPOUND.

I dati pubblicati sono indicativi. SCRIGNO S.p.A. declina ogni responsabilità per le possibili inesattezze contenute, dovute ad errori di stampa, di trascrizione o per qualsiasi altro motivo e si riserva il diritto di apportare modifiche atte a migliorare i prodotti senza preavviso.

Ces informations sont remises a titre indicatif. SCRIGNO S.p.A. declina toute responsabilité en cas d'erreur d'impression, de traduction, ou pour tout autre motif. Elle se réserve le droit d'apporter toute modification pour le montage et l'amélioration du produit sans préavis. Toute reproduction même partielle de ce document est formellement interdite.

Los datos publicados son indicativos. La sociedad SCRIGNO S.p.A. declina toda responsabilidad por los posibles errores contenidos, debido a errores de imprenta, de transcripción o cualquier otro motivo y se reserva el derecho de mejorar los productos sin previo aviso. La reproducción total o parcial esta prohibida por la ley.

Bei den veröffentlichten Daten handelt es sich um Richtwerte. Die Scrigno S.p.A. lehnt jegliche Haftung für auf Druckfehler oder andere Ursachen zurückzuführende Ungenauigkeiten ab, und behält sich das Recht vor, jederzeit ohne Vorankündigung Verbesserungen am Produkt vorzunehmen. Der Nachdruck ist auch auszugsweise gesetzlich untersagt.

The information given in this document is for descriptive purposes only. SCRIGNO S.p.A. will not be held responsible for any inaccuracies caused by printing errors, transcription errors or for any other reason, and reserves the right to make modifications, without giving prior notice, for the improvement of its products. The reproduction, including the partial reproduction, of this document is severely prohibited within the terms of the Law.

SCRIGNO®
Scrigno S.p.A. Unipersonale
Via Casale, 975 - 47822 - Sant'Ermete di Santarcangelo (RN) - Italy
Tel.+39 0541 757711 - Fax +39 0541 757780
www.scrigno.net e-mail: scrigno@scrigno.it

KC-ESS-ROL-EN